

Technical information zero-point clamping system

Application

The modular structured flexible zero-point clamping system was specifically developed for the machining and non-machining fields. This system enables a quick and accurate clamping and referencing of fixtures and workpieces on all production machines, machining centres, EDM's and inspection equipment. Whether subplate, fixture, vice or workpiece, this system allows an exchange with a defined reference point in a matter of seconds and repeat accuracy of less than 0.005 mm.

The advantages





- Modular system
- Compact flat design
- Workpiece or fixture change within seconds
- Pneumatic system
- Positive locking
- Holding forces up to 75 kN and pull-in forces up to 25 kN
- Turbo function
- Positioning via short conical locator
- Works reliably in every mounting position
- Sealing air function

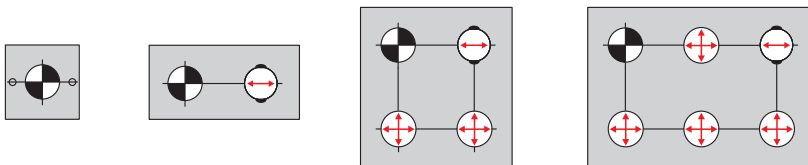
Your benefit

- Can be combined with our modular clamping system
- Better machine room utilisation
- Increased productive machine running times, significantly reduced set-up times
- Reliable system
- Very high cutting forces possible
- High operating and process safety
- Increased pull-in forces are standard
- Very high repeat accuracy
- Clamping cylinder installation in both vertical and horizontal positions
- Blow out function can be activated when changing pallets

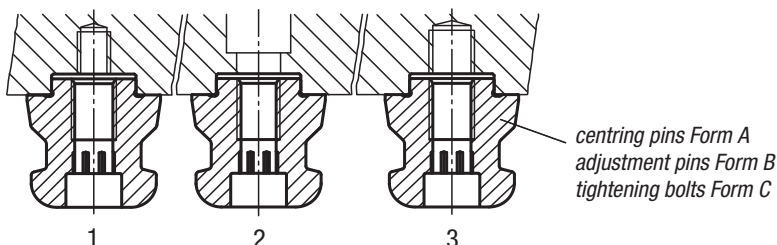
Spigot arrangement/set-up

The workpieces, fixtures or subplates are positioned and clamped using spigots. There are three different spigot types.

-  Centring spigot fixed in x and y direction (reference point)
-  Compensating pin fixes the free axis (studs)
-  Clamping spigot Spigot with undersize (no centring function only clamping function)
-  Cylindrical pin For individual clamping, positioning is done with centring spigot + 2 cylindrical pins

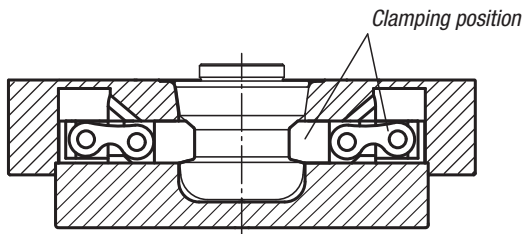


- 1 = fastening with DIN 912 screw through the tightening bolt
- 2 = fastening with DIN 912 screw through the fixture or workpiece
- 3 = fastening with grub screw DIN 913

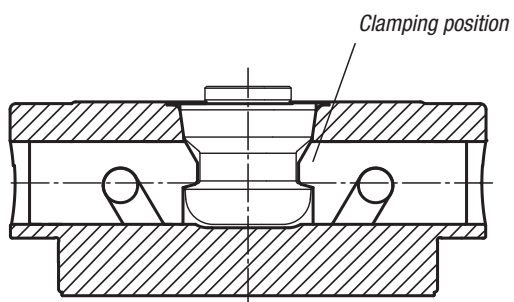
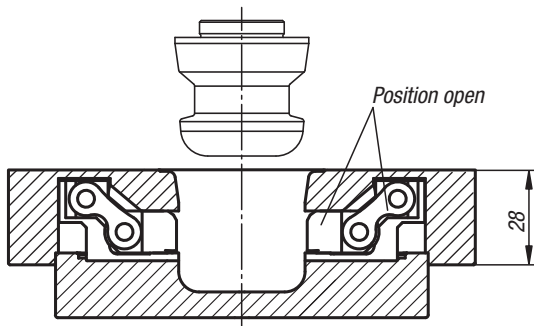


Technical information zero-point clamping system

Function



UNILOCK clamping module ERGO 138



UNILOCK clamping module ESM 138-C

UNILOCK clamping module ESM 176

UNILOCK clamping module EFM 138

