

## Quarter-turn locks, stainless steel

### Item description/product images



### Description

#### Material:

Quarter-turn lock 1.4401 stainless steel.

Tongue 1.4301 stainless steel.

#### Version:

Bright.

#### Note:

The lock can be installed pre-assembled and has a 90° closing angle. It is protected against water and dust according to IP65 of EN 60529.

#### Drawing reference:

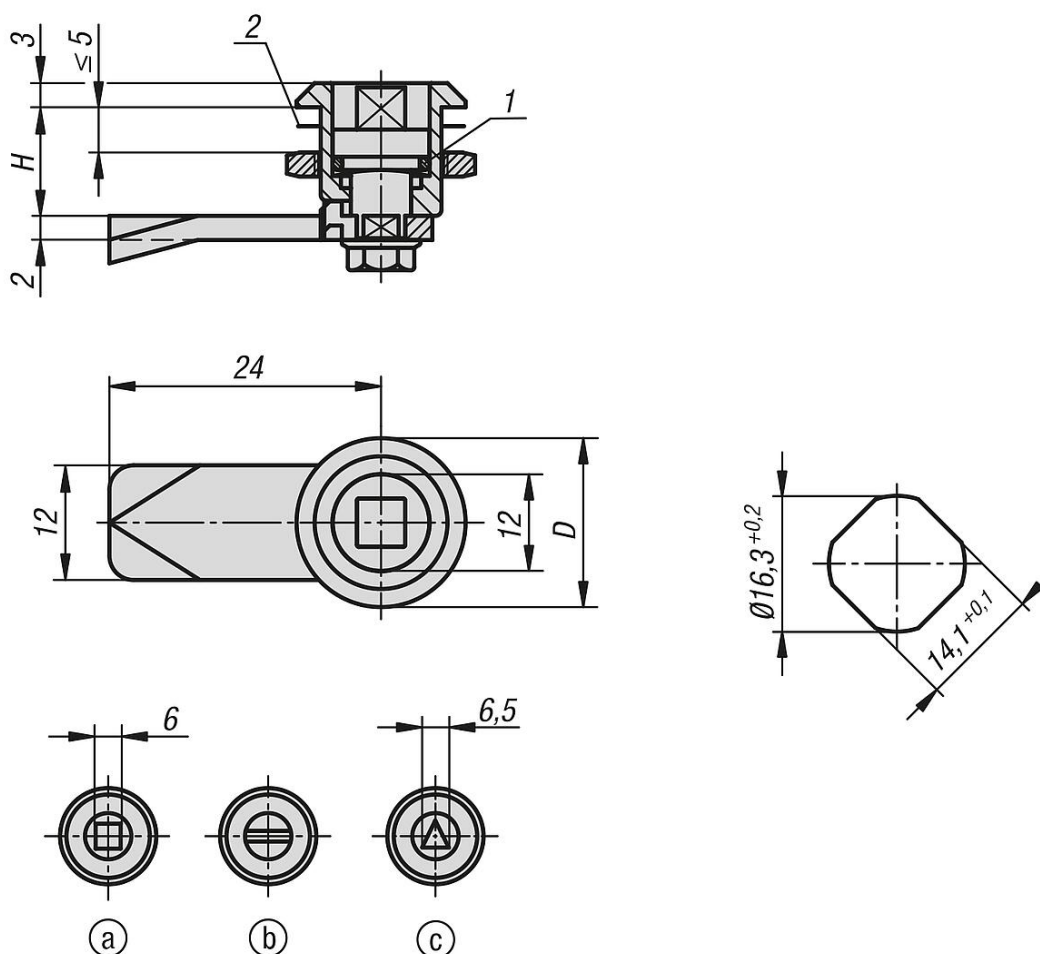
Actuation:

- a) square 6 mm
- b) slit
- c) triangle 6.5 mm

1) O-ring

2) flat seal

### Drawings



## Quarter-turn locks, stainless steel

### Overview of items

---

#### Quarter-turn locks, stainless steel

Order No.	Actuation	D	H	S max.
K1360.1613	square 6 mm	20	13,5	5
K1360.2013	slot	20	13,5	5
K1360.8613	triangle 6.5 mm	20	13,5	5