

## Power clamps compact

### Item description/product images



### Description

**Material:**

Carbon steel.

**Version:**

Tempered, black electro zinc-plated.

**Note:**

When using the clamping element without a DIN 508 T-slot nut, the tensile strength of the mounting plate must be at least 900 N/mm<sup>2</sup>.

Do not clean using compressed air.

**Application:**

The height of the clamping arm can be infinitely adjusted using the adjustment screw and the workpiece can then be clamped.

**Advantages:**

- Infinite clamping
- Clamping force 12 kN / 16 kN.
- Compact design.
- Height scale enables quick presetting of the clamping height.
- Captive thrust pad pre-installed.
- Dirt and swarf repellent.
- The curved clamping arm ensures vertical, reliable clamping with a defined torque.
- The compact power clamp can be attached to the riser K2228 without screws using a new type of quick-locking mechanism.

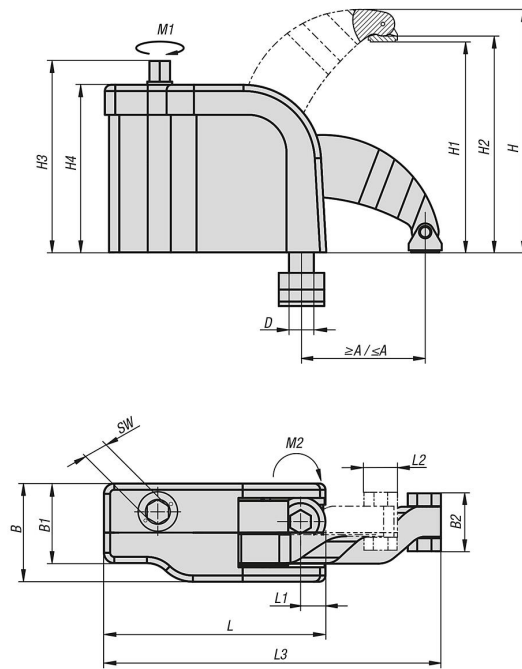
**Accessory:**

Riser with quick lock K2228.

Thrust pad set K2229.

**Power clamps compact**

**Drawings**



**Overview of items**

**Power clamps compact**

Order No.	A	A	B	B1	B2	D	H	H1	H2	H3	H4	L	L1	L2	L3	Slot width	SW	Clamping force kN	Tightening torque M1 Nm	Tightening torque M2 Nm
	min.	max.																		
<b>K2227.1212</b>	38,5	59,5	47,5	38,5	28	M12	56,5-118	0-100	3,5-103,5	92,5	81	107	12	16	141,5-163	14	10	12	100	40
<b>K2227.1612</b>	22,8	40,2	47,5	38,5	28	M12	52-107	0-90	3,5-93,5	92,5	81	107	12	16	126-143,5	14	10	16	100	40