

## Centring pins for aligning hole

### Item description/product images



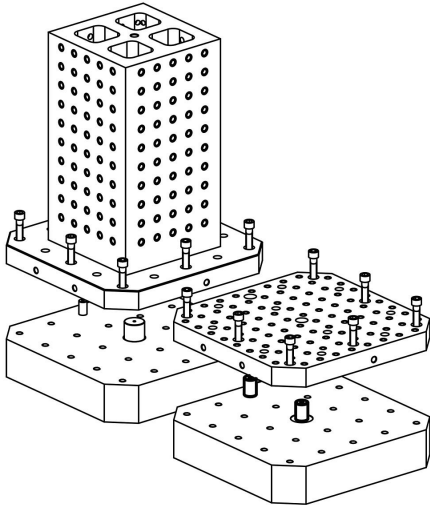
### Description

**Material:**  
Steel.

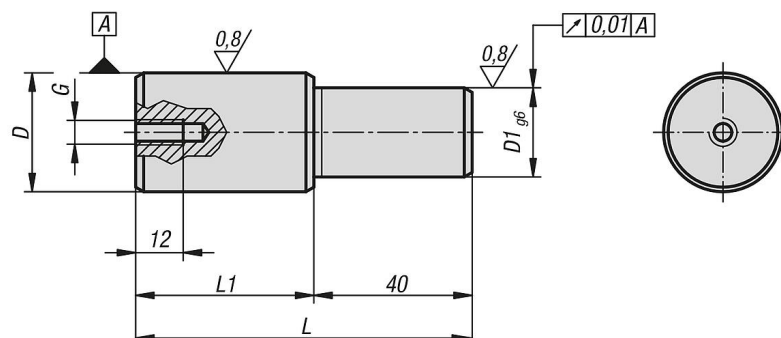
**Version:**  
Case-hardened.  
Toleranced diameter ground.

**Note:**  
Form A  
Locating pin for baseplates with grid holes.  
Form B  
Locating pin for baseplates with T-slots.

**Accessory:**  
Subplates K0806.



### Drawings



## Centring pins for aligning hole

### Overview of items

---

#### Centering pins for aligning hole

Order No.	Form	D	D1	G	L	L1
<b>K0858.2520</b>	A	25 g6	20	M6	75	35
<b>K0858.3020</b>	A	30 h6	20	M6	85	45
<b>K0858.3025</b>	A	30 h6	25	M6	85	45
<b>K0858.30201</b>	B	30h6	20	M8	75	35