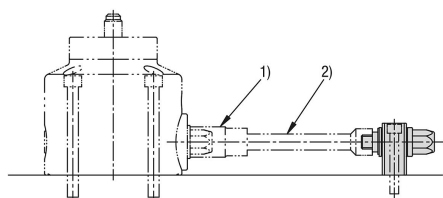


Extension unit

Item description/product images



Description

Product description:

Extension units are required if the drive elements of the automation-capable clamping elements are inaccessible due to lack of space.

Material:

Carbon steel.

Version:

Black oxidised.

Note:

1) socket and 2) drive shaft are not supplied.

Accessory:

K2209 Automation capable pull clamps.

K2211 Automation capable pull clamp with clamping screw.

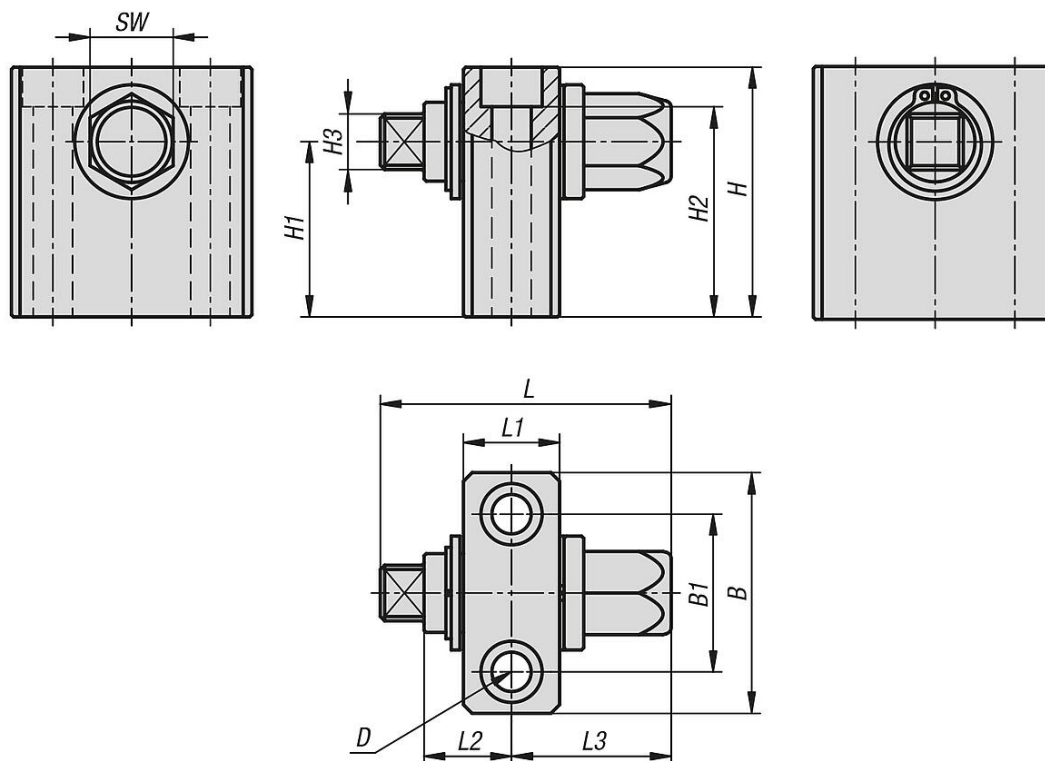
K2160 Automation capable support element.

Drawing reference:

1) Socket

2) Drive shaft

Drawings



Overview of items

Extension unit

Extension unit

Overview of items

Order No.	B	B1	D for screw DIN 912	H	H1	H2	H3	L	L1	L2	L3	SW
K2212.02504219	55	36	M8	42	25	33	12,7	66,5	22	20	36,5	19
K2212.03004719	55	36	M8	47	30	38	12,7	66,5	22	20	36,5	19
K2212.04005719	55	36	M8	57	40	48	12,7	66,5	22	20	36,5	19
K2212.05006919	55	36	M8	69	50	57	12,7	66,5	22	20	36,5	19