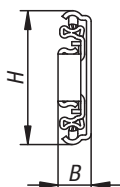
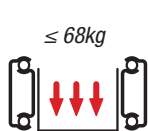
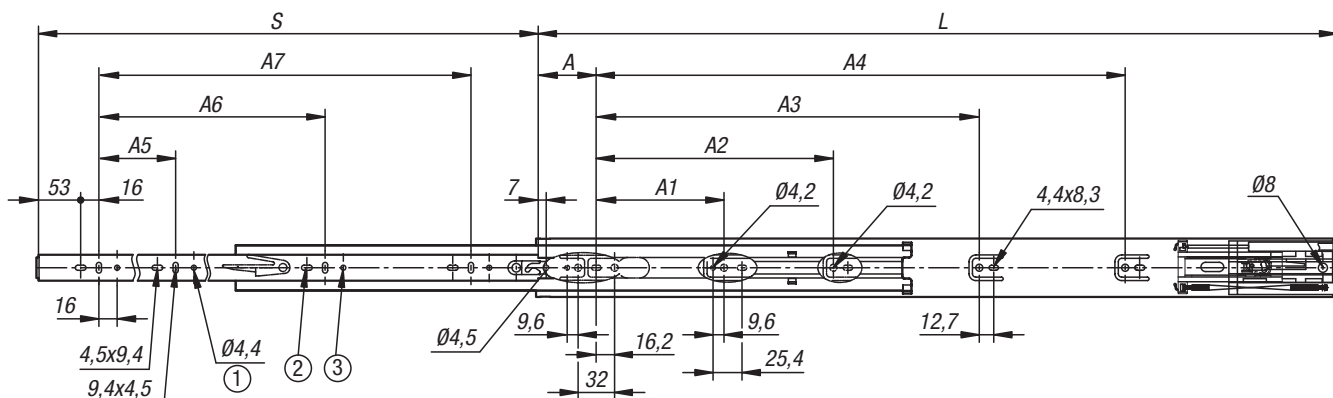


# Assembly instructions K2088



1) K2088.0300	2) K2088.0350	3) K2088.0400
---------------	---------------	---------------

Order No.	L	S	A1	A2	A3	A4	A5	A6	A7	Load-bearing capacity per pair kg
K2088.0300	300	275	-	96	-	-	192	-	-	35
K2088.0350	350	350	128	-	-	-	128	224	-	35
K2088.0400	400	400	128	192	-	-	160	288	-	50
K2088.0450	450	450	128	256	-	-	160	320	-	50
K2088.0500	500	500	128	224	288	-	192	384	-	60
K2088.0550	550	550	128	224	352	-	224	416	-	60
K2088.0600	600	600	128	224	352	-	256	480	-	68
K2088.0650	650	650	128	224	352	448	256	512	-	68
K2088.0700	700	700	128	224	352	480	256	448	576	68

All fastening positions must be used so that the maximum load value is achieved.

Not suitable for flat mounting.

The drawer should not be wider than the slide length.

1,2,3 Mounting holes not provided.

Hold the ball cage at the front when fastening the drawer.

# Assembly instructions K2088



## Rail fastening

