

Quarter-turn locks in Hygienic DESIGN

Item description/product images



Description

Material:

Housing, actuator and fastening nut stainless steel 1.4404.

O-rings silicone, red or blue, FDA-compliant.

Tongue and locking screw stainless steel 1.4301.

Version:

Bright.

Note:

The quarter-turn lock fulfils the hygiene requirements of DIN EN ISO 14159 and DIN EN 1672-2.

Particularly suitable for use in the food and beverage industry.

O-rings (FDA-compliant) prevent the ingress of liquid and formation of contamination.

IP65 / IP67 / IP69K in accordance with DIN EN 60529 / DIN 40050.

Please order the tongue in the desired version separately. Every tongue can be combined with every housing.

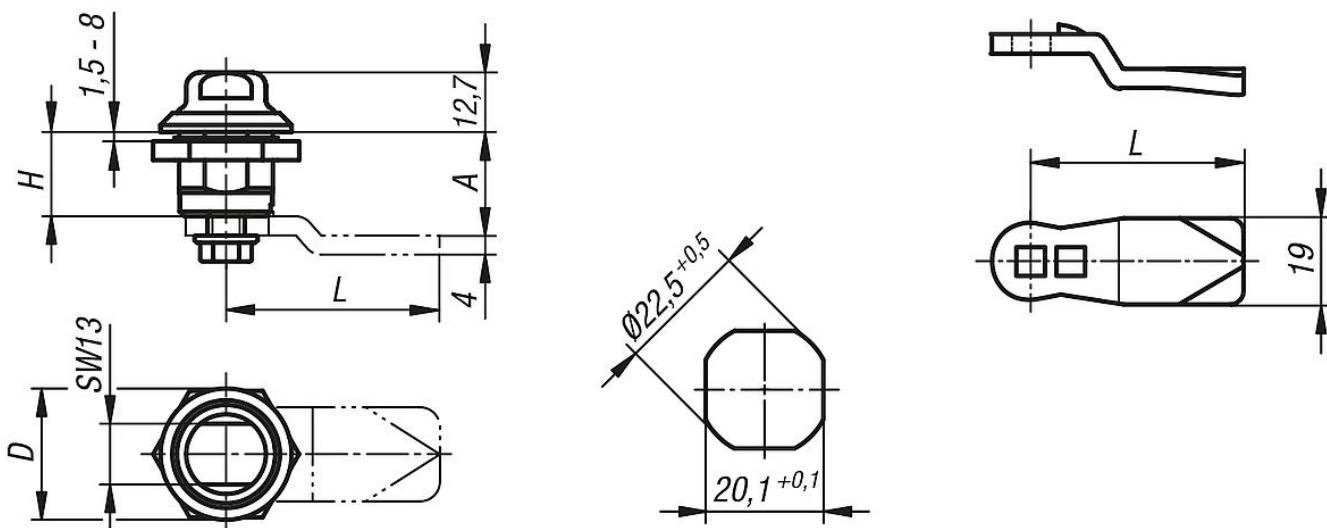
Accessory:

Lock key K1335.113

Ring spanner K1362.16

Protective insert K1362.1613

Drawings



Overview of items

Quarter-turn locks in Hygienic DESIGN

Order No.	Component colour	Actuation	D	H
K1353.18	red	double flat	28	18
K1353.181	blue	double flat	28	18

Quarter-turn locks in Hygienic DESIGN

Overview of items

Tongue for quarter-turns lock

Order No.	A	L
K1340.45060	6	45
K1340.45080	8	45
K1340.45100	10	45
K1340.45140	14	45
K1340.45160	16	45
K1340.45180	18	45
K1340.45200	20	45
K1340.45220	22	45
K1340.45240	24	45
K1340.45260	26	45
K1340.45280	28	45
K1340.45320	32	45
K1340.45500	50	45