

Mushroom knobs external thread - inch

Item description/product images

INCH
Parts



Description

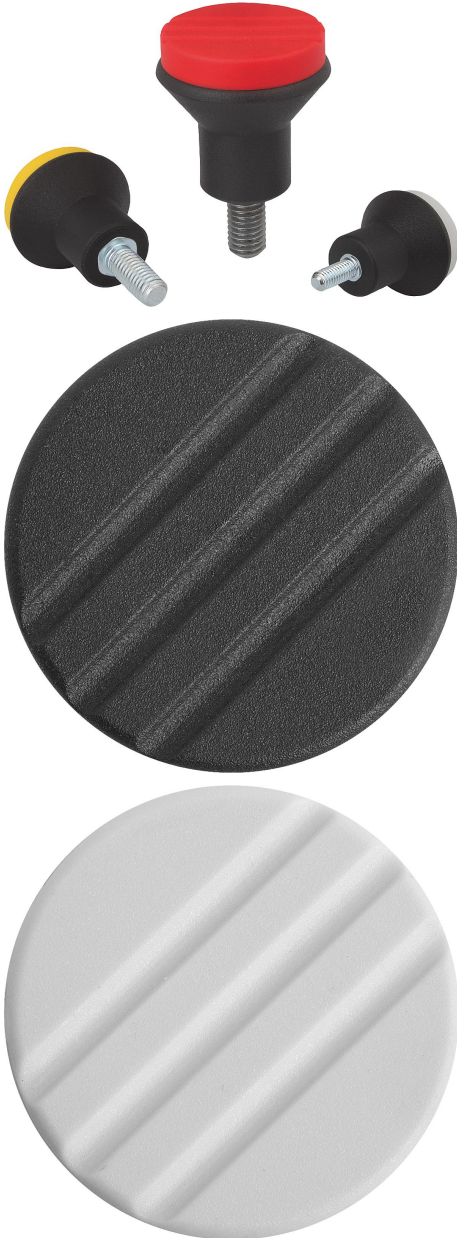
Material:

Black thermoplastic.

Screw grade 5.8 steel or 1.4305 (AISI 303 equivalent) stainless steel.

Version:

Steel trivalent blue passivated, stainless steel bright.

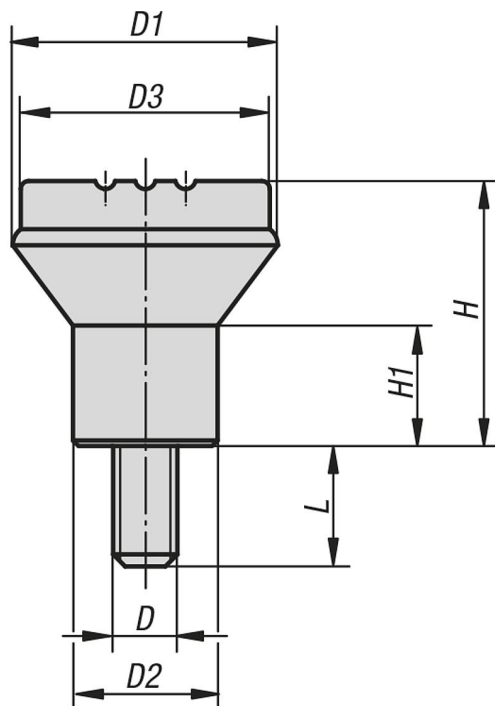


Mushroom knobs external thread - inch

Item description/product images



Drawings



Mushroom knobs external thread - inch

Overview of items

Mushroom knobs with external thread

Order No.	Component material	Colour Cap	D	D1	D2	D3	H	H1	L
K0251.AEX10	steel	black grey RAL 7021	8-32	21	12	19	21	10	10
K0251.AE5X10	steel	light grey RAL 7035	8-32	21	12	19	21	10	10
K0251.AE6X10	steel	traffic red RAL 3020	8-32	21	12	19	21	10	10
K0251.AE7X10	steel	colza yellow RAL 1021	8-32	21	12	19	21	10	10
K0251.AEX20	steel	black grey RAL 7021	8-32	21	12	19	21	10	20
K0251.AE5X20	steel	light grey RAL 7035	8-32	21	12	19	21	10	20
K0251.AE6X20	steel	traffic red RAL 3020	8-32	21	12	19	21	10	20
K0251.AE7X20	steel	colza yellow RAL 1021	8-32	21	12	19	21	10	20
K0251.A1X10	steel	black grey RAL 7021	10-32	21	12	19	21	10	10
K0251.A15X10	steel	light grey RAL 7035	10-32	21	12	19	21	10	10
K0251.A16X10	steel	traffic red RAL 3020	10-32	21	12	19	21	10	10
K0251.A17X10	steel	colza yellow RAL 1021	10-32	21	12	19	21	10	10
K0251.A1X20	steel	black grey RAL 7021	10-32	21	12	19	21	10	20
K0251.A15X20	steel	light grey RAL 7035	10-32	21	12	19	21	10	20
K0251.A16X20	steel	traffic red RAL 3020	10-32	21	12	19	21	10	20
K0251.A17X20	steel	colza yellow RAL 1021	10-32	21	12	19	21	10	20
K0251.A2X20	steel	black grey RAL 7021	1/4-20	25	14	23	25	12	20
K0251.A25X20	steel	light grey RAL 7035	1/4-20	25	14	23	25	12	20
K0251.A26X20	steel	traffic red RAL 3020	1/4-20	25	14	23	25	12	20
K0251.A27X20	steel	colza yellow RAL 1021	1/4-20	25	14	23	25	12	20
K0251.A2X30	steel	black grey RAL 7021	1/4-20	25	14	23	25	12	30
K0251.A25X30	steel	light grey RAL 7035	1/4-20	25	14	23	25	12	30
K0251.A26X30	steel	traffic red RAL 3020	1/4-20	25	14	23	25	12	30
K0251.A27X30	steel	colza yellow RAL 1021	1/4-20	25	14	23	25	12	30
K0251.A3X20	steel	black grey RAL 7021	5/16-18	33	18	31	33	15	20
K0251.A35X20	steel	light grey RAL 7035	5/16-18	33	18	31	33	15	20
K0251.A36X20	steel	traffic red RAL 3020	5/16-18	33	18	31	33	15	20
K0251.A37X20	steel	colza yellow RAL 1021	5/16-18	33	18	31	33	15	20
K0251.A3X40	steel	black grey RAL 7021	5/16-18	33	18	31	33	15	40
K0251.A35X40	steel	light grey RAL 7035	5/16-18	33	18	31	33	15	40
K0251.A36X40	steel	traffic red RAL 3020	5/16-18	33	18	31	33	15	40
K0251.A37X40	steel	colza yellow RAL 1021	5/16-18	33	18	31	33	15	40
K0251.OAEX10	stainless steel	black grey RAL 7021	8-32	21	12	19	21	10	10
K0251.OAE5X10	stainless steel	light grey RAL 7035	8-32	21	12	19	21	10	10
K0251.OAE6X10	stainless steel	traffic red RAL 3020	8-32	21	12	19	21	10	10
K0251.OAE7X10	stainless steel	colza yellow RAL 1021	8-32	21	12	19	21	10	10
K0251.OAEX20	stainless steel	black grey RAL 7021	8-32	21	12	19	21	10	20
K0251.OAE5X20	stainless steel	light grey RAL 7035	8-32	21	12	19	21	10	20
K0251.OAE6X20	stainless steel	traffic red RAL 3020	8-32	21	12	19	21	10	20
K0251.OAE7X20	stainless steel	colza yellow RAL 1021	8-32	21	12	19	21	10	20
K0251.OA1X10	stainless steel	black grey RAL 7021	10-32	21	12	19	21	10	10
K0251.OA15X10	stainless steel	light grey RAL 7035	10-32	21	12	19	21	10	10
K0251.OA16X10	stainless steel	traffic red RAL 3020	10-32	21	12	19	21	10	10
K0251.OA17X10	stainless steel	colza yellow RAL 1021	10-32	21	12	19	21	10	10
K0251.OA1X20	stainless steel	black grey RAL 7021	10-32	21	12	19	21	10	20
K0251.OA15X20	stainless steel	light grey RAL 7035	10-32	21	12	19	21	10	20
K0251.OA16X20	stainless steel	traffic red RAL 3020	10-32	21	12	19	21	10	20
K0251.OA17X20	stainless steel	colza yellow RAL 1021	10-32	21	12	19	21	10	20
K0251.OA2X20	stainless steel	black grey RAL 7021	1/4-20	25	14	23	25	12	20
K0251.OA25X20	stainless steel	light grey RAL 7035	1/4-20	25	14	23	25	12	20
K0251.OA26X20	stainless steel	traffic red RAL 3020	1/4-20	25	14	23	25	12	20
K0251.OA27X20	stainless steel	colza yellow RAL 1021	1/4-20	25	14	23	25	12	20
K0251.OA2X30	stainless steel	black grey RAL 7021	1/4-20	25	14	23	25	12	30
K0251.OA25X30	stainless steel	light grey RAL 7035	1/4-20	25	14	23	25	12	30
K0251.OA26X30	stainless steel	traffic red RAL 3020	1/4-20	25	14	23	25	12	30
K0251.OA27X30	stainless steel	colza yellow RAL 1021	1/4-20	25	14	23	25	12	30
K0251.OA3X20	stainless steel	black grey RAL 7021	5/16-18	33	18	31	33	15	20
K0251.OA35X20	stainless steel	light grey RAL 7035	5/16-18	33	18	31	33	15	20
K0251.OA36X20	stainless steel	traffic red RAL 3020	5/16-18	33	18	31	33	15	20

Mushroom knobs external thread - inch**Overview of items**

Order No.	Component material	Colour Cap	D	D1	D2	D3	H	H1	L
K0251.0A37X20	stainless steel	colza yellow RAL 1021	5/16-18	33	18	31	33	15	20
K0251.0A3X40	stainless steel	black grey RAL 7021	5/16-18	33	18	31	33	15	40
K0251.0A35X40	stainless steel	light grey RAL 7035	5/16-18	33	18	31	33	15	40
K0251.0A36X40	stainless steel	traffic red RAL 3020	5/16-18	33	18	31	33	15	40
K0251.0A37X40	stainless steel	colza yellow RAL 1021	5/16-18	33	18	31	33	15	40