

Levers DIN 99

Item description/product images



Description

Material:

Steel or stainless steel A2.

Version:

Steel polished.

Stainless steel 1.4301 abrasive blasted.

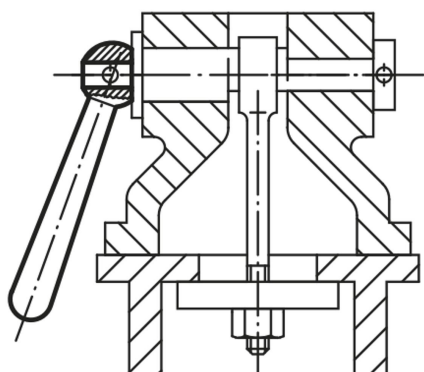
Note:

To fix the lever to another element, gluing is often more cost-effective than pinning.

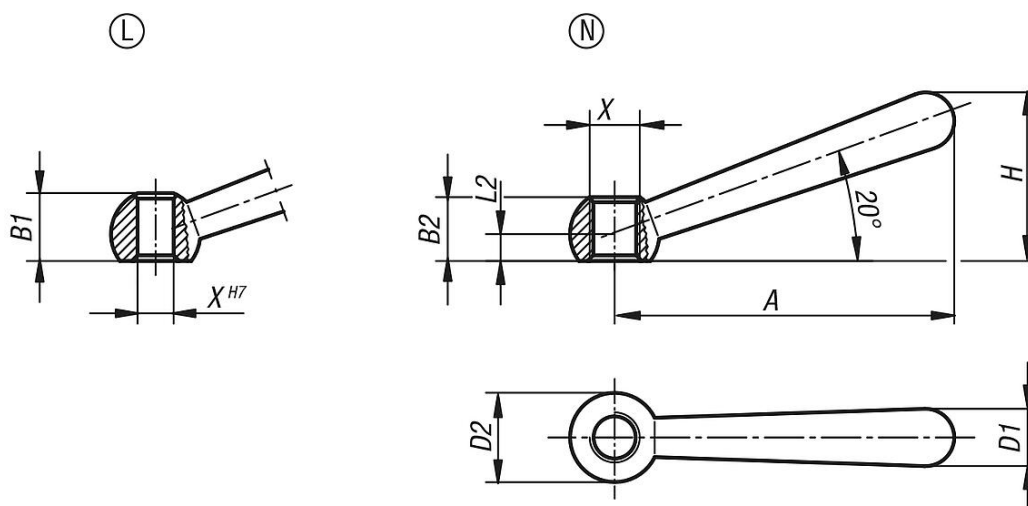
Drawing reference:

Form L: with hole

Form N: with internal thread



Drawings



Overview of items

Levers DIN 99

Order No.	Form	Main material	X	A=Handle length	B1	B2	D1	D2 ball	H	L2
K0174.106	L	steel	6	48	9,5	-	8	12	24	4
K0174.108	L	steel	8	60	12	-	10	16	30,5	5
K0174.110	L	steel	10	76	14,5	-	13	20	38	6
K0174.112	L	steel	12	95	18,5	-	16	25	47	7,5
K0174.116	L	steel	16	119	24	-	20	32	59,5	10
K0174.120	L	steel	20	152	30	-	25	40	75,5	12,5

Levers DIN 99

Overview of items

Order No.	Form	Main material	X	A=Handle length	B1	B2	D1	D2 ball	H	L2
K0174.0106	L	stainless steel A2	6	48	9,5	-	8	12	24	4
K0174.0108	L	stainless steel A2	8	60	12	-	10	16	30,5	5
K0174.0110	L	stainless steel A2	10	76	14,5	-	13	20	38	6
K0174.0112	L	stainless steel A2	12	95	18,5	-	16	25	47	7,5
K0174.0116	L	stainless steel A2	16	119	24	-	20	32	59,5	10
K0174.0120	L	stainless steel A2	20	152	30	-	25	40	75,5	12,5
K0174.206	N	steel	M6	48	-	9,5	8	12	24	4
K0174.208	N	steel	M8	60	-	12	10	16	30,5	5
K0174.210	N	steel	M10	76	-	14,5	13	20	38	6
K0174.212	N	steel	M12	95	-	18,5	16	25	47	7,5
K0174.216	N	steel	M16	119	-	24	20	32	59,5	10
K0174.220	N	steel	M20	152	-	30	25	40	75,5	12,5
K0174.0206	N	stainless steel A2	M6	48	-	9,5	8	12	24	4
K0174.0208	N	stainless steel A2	M8	60	-	12	10	16	30,5	5
K0174.0210	N	stainless steel A2	M10	76	-	14,5	13	20	38	6
K0174.0212	N	stainless steel A2	M12	95	-	18,5	16	25	47	7,5
K0174.0216	N	stainless steel A2	M16	119	-	24	20	32	59,5	10
K0174.0220	N	stainless steel A2	M20	152	-	30	25	40	75,5	12,5