

## Rest pads with contact sensor

### Item description/product images



for electrics



### Description

#### Product description:

Smart products offer the added value of obtaining electronic feedback about the actuated status of various clamping and support elements.

Rest pads can be used as supports, stops or thrust pieces on workpieces being machined.

A limit switch, which is integrated into the rest pad with contact sensor, detects whether a workpiece is supported or not.

If the rest pad is connected to the Bluetooth module K1831 via the integrated USB Type-C socket, it transmits the sensor status wirelessly. The signal can then be received and processed by e.g. a Gateway K1494.

In addition, the integrated LED display of the Bluetooth module indicates the status of the rest pad.

The power supply for the rest pad is provided by the Bluetooth module, which can be replaced if necessary without reconfiguration.

#### Material:

Rest pad QT steel.

Contact sensor stainless steel.

Plug housing steel.

#### Version:

Rest pad black oxidised, hardened and ground.

Plug housing black oxidised.

#### Note:

A secure signal transmission can only be guaranteed if the contact sensor is pressed down by the workpiece flush with the contact surface. The tolerance is 0.2 mm.

The contact face of the workpiece must exceed  $\varnothing 10$  mm.

#### Technical data:

See Downloads, Technical Information.

#### Application:

Part positioning can be controlled with the aid of these rest pads. The rest pads can also be used as stops with position feedback.

#### Temperature range:

0 °C to +65 °C.

#### Accessory:

Universal transmitter K1831.

Gateway K1494.

#### Safety:

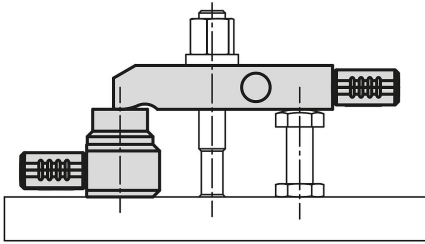
Rest pads with contact sensor are not suitable for the protection of personnel.

#### Drawing reference:

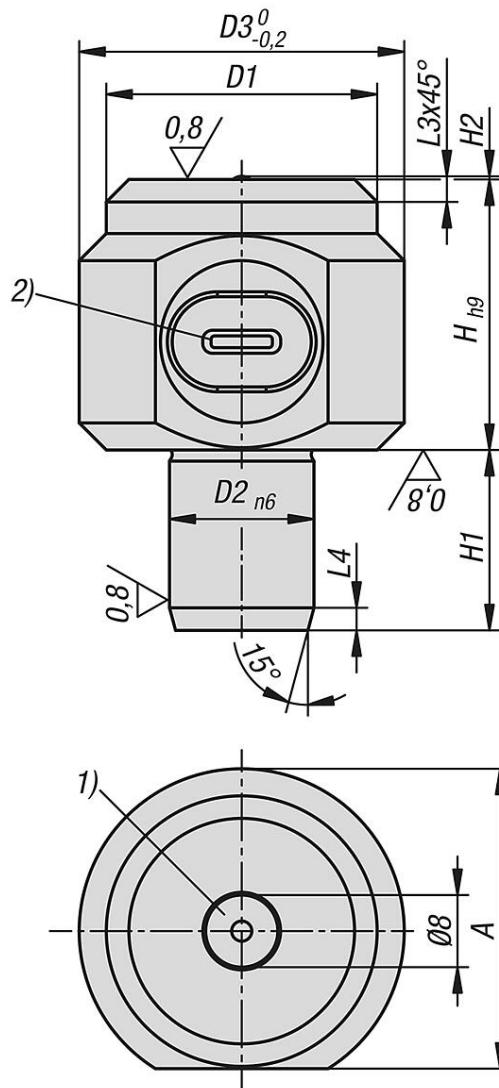
- 1) Contact sensor
- 2) USB type C socket

# Rest pads with contact sensor

Item description/product images



## Drawings



## Overview of items

### Rest pads with contact sensor

Order No.	A	D1	D2	D3	H	H1	H2	L3	L4
K1832.1230	33,25	30	12	36	30	14	0,35	2,50	2,50
K1832.1630	33,25	30	16	36	30	20	0,35	2,50	2,50

## Rest pads with contact sensor

### Overview of items

Order No.	A	D1	D2	D3	H	H1	H2	L3	L4
<b>K1832.2030</b>	33,25	30	20	36	30	20	0,35	2,50	2,50