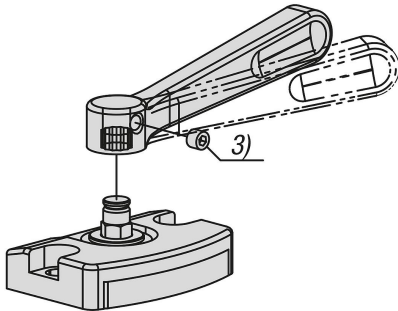


## Flat clamps with cam

### Item description/product images



### Description

#### Product description:

Form A with locating pin.

Form B without locating pin.

Form C without locating pin, with tension lever.

#### Material:

Carbon steel.

#### Version:

Black oxidised.

#### Note:

By Form C, the tension lever can be user-friendly aligned in 30° increments by loosening the grub screw.

#### Assembly:

See drawing (Form A).

#### Advantages:

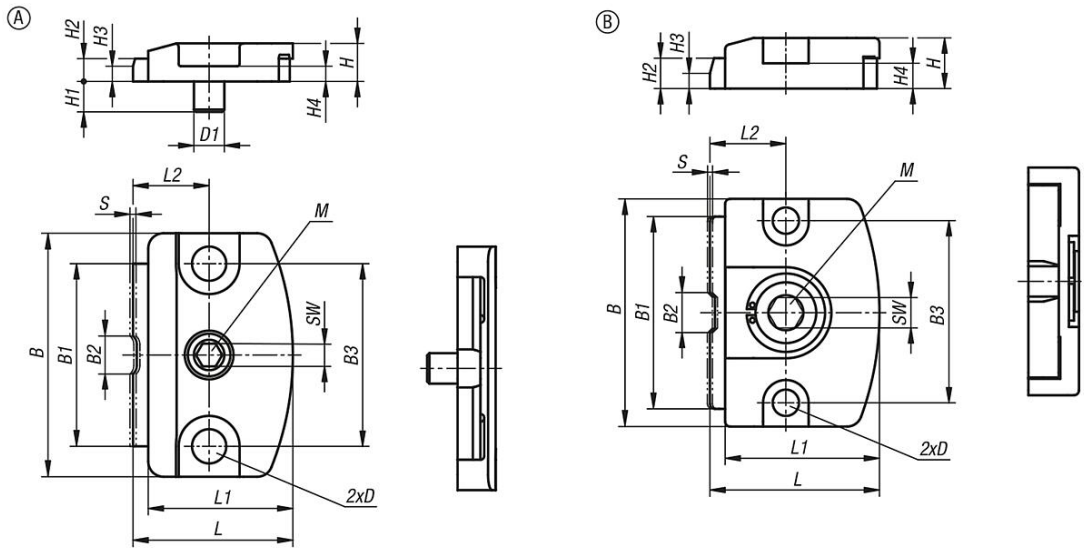
- Compact and flat design
- Quick and easy clamping of components

#### Drawing reference:

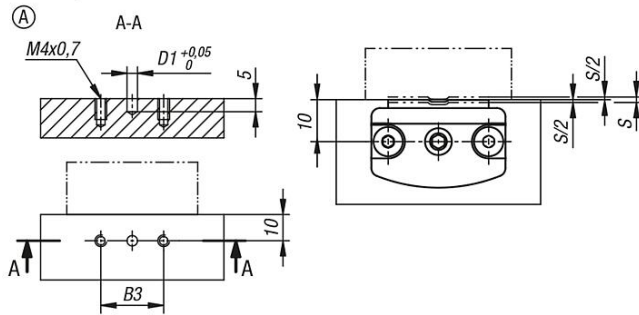
- 1) Clamping start position
- 2) Clamping end position
- 3) Grub screw

Flat clamps with cam

Drawings

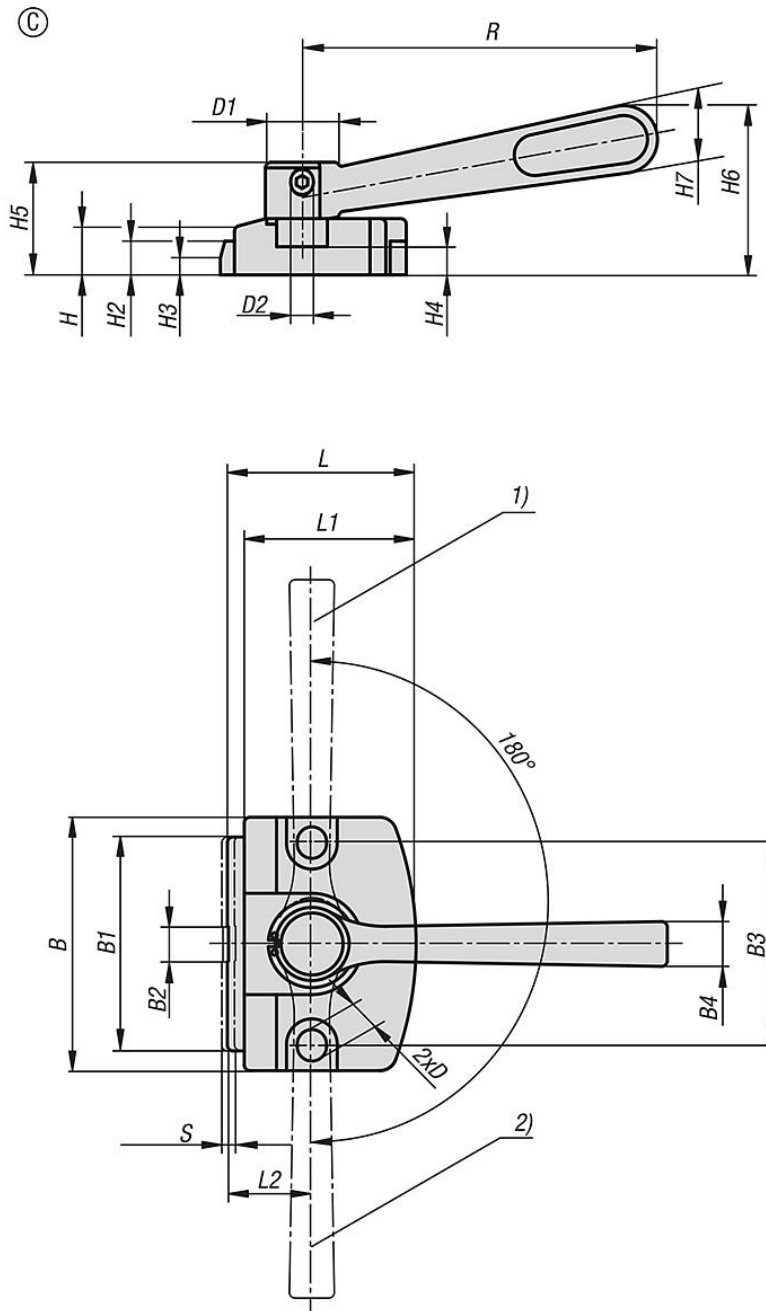


mounting instructions:



# Flat clamps with cam

## Drawings



## Overview of items

### Flat clamps with cam

Order No.	Form	B	B1	B2	B3	B4	D	D1	D2	H	H1	H2	H3	H4	H5	H6	H7	L	L1	L2	R	SW	Travel S	Clamping force kN	Hand force FH N	Tightening torque max. Nm
K1696.00130	A	32	24	5	24	-	4,5	4	-	5	4	3	2	2	-	-	-	21	19	10	-	3	0,8	1,3	-	2,1
K1696.10400	B	45	38	8	36	-	5,2	-	-	10	-	6	3	5	-	-	-	33,5	30,5	15	-	6	1	4	-	10
K1696.10600	B	70	60	12	55	-	8,2	-	-	15	-	9	5	7	-	-	-	50	46	22	-	10	2	6	-	27
K1696.20600	C	70	60	12	55	12	8,2	19	M5x5	15	-	9	5	7	30	46	18	50	46	22	100	-	2	6	280	-
K1696.20400	C	45	38	8	36	8	5,2	13	M4x4	10	-	6	3	5	20	30	12	33,5	30,5	15	63	-	1	4	170	-

