

# Finger grips, stainless steel round

## Item description/product images



### Description

**Material:**  
Stainless steel 1.4404.

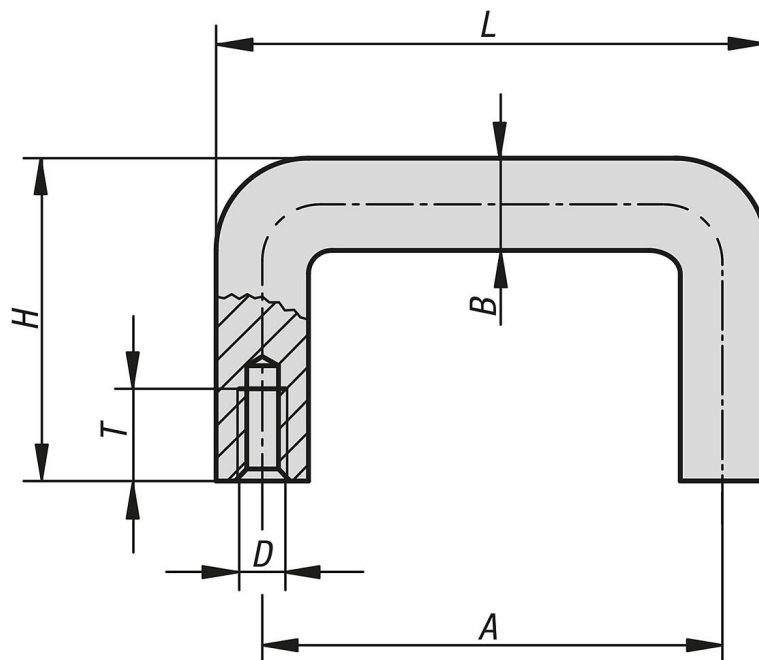
**Version:**  
smooth polished or matt abrasive blasted.

**Note for ordering:**  
Order the fastening material and end washers separately.

**Assembly:**  
From the rear.

**Accessory:**  
End washers K1823.  
Washers K0868.  
Washers K1150.  
Hex head bolts K0871.  
Screws K1796.  
Cap screws K0869.

## Drawings



## Overview of items

### Finger grips, stainless steel, round

Order No.	Surface finish body	A	B	D	H	L	T	Load capacity N
K1793.030031	smooth polished	30	5	M3	24	35	6	500

## Finger grips, stainless steel round

### Overview of items

Order No.	Surface finish body	A	B	D	H	L	T	Load capacity N
K1793.030041	smooth polished	30	8	M4	32	38	8	500
K1793.040031	smooth polished	40	5	M3	24	45	6	500
K1793.040041	smooth polished	40	8	M4	32	48	8	500
K1793.040051	smooth polished	40	10	M5	40	50	10	500
K1793.030033	matt blasted	30	5	M3	24	35	6	500
K1793.030043	matt blasted	30	8	M4	32	38	8	500
K1793.040033	matt blasted	40	5	M3	24	45	6	500
K1793.040043	matt blasted	40	8	M4	32	48	8	500
K1793.040053	matt blasted	40	10	M5	40	50	10	500