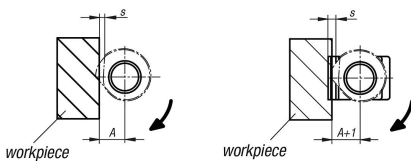
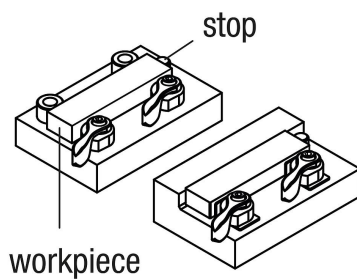
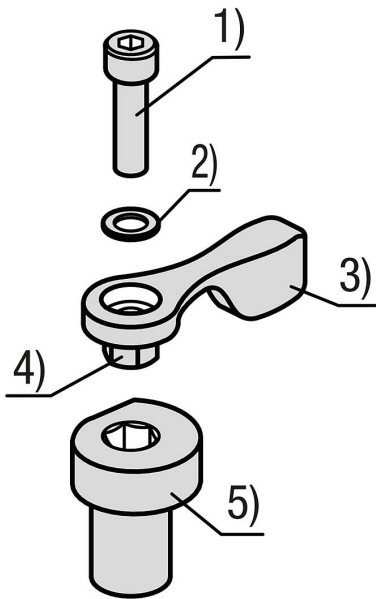


Cam clamps, steel with tension lever

Item description/product images



Description

Material:

Carbon steel.

Version:

Black oxidised.

Note:

Dimension A refers to the distance from the workpiece to screw centre (cam screw).

Form B with clamp plate is recommended to minimise scratches on the workpiece.

The hexagonal key on the tension lever enables the lever to be mounted in 60° increments, thus aligning it according to the users requirements.

Advantages:

- Compact design
- Rapid and easy clamping of the component
- Tool-free clamping with tension lever

Accessory:

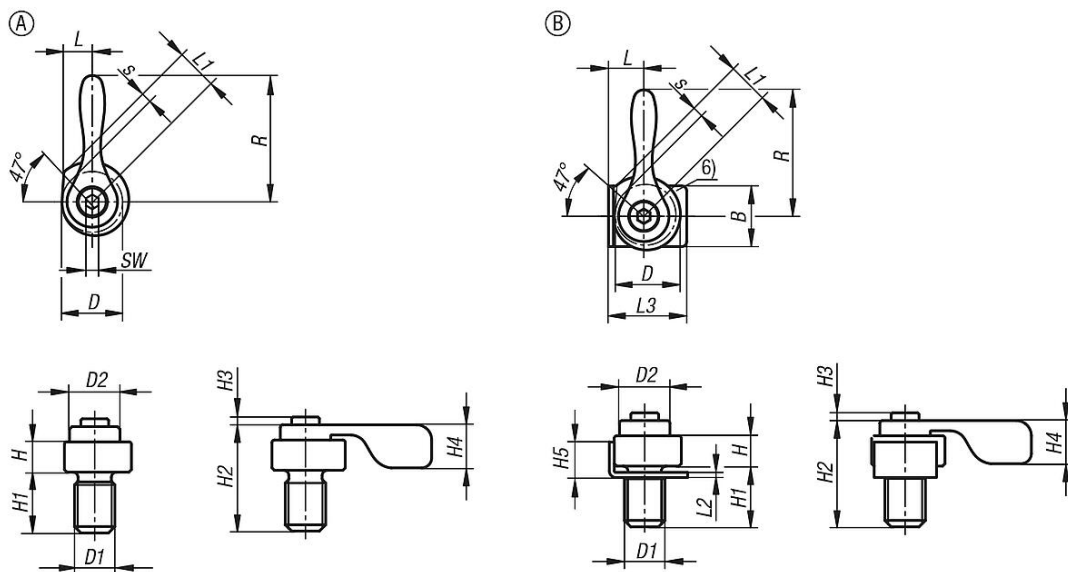
Clamping plate K2050.

Drawing reference:

- (1) Clamping screw
- (2) Spring washer
- (3) Tension lever
- (4) Hex key
- (5) Cam clamp
- (6) Clamping plate

Cam clamps, steel with tension lever

Drawings



Overview of items

Cam clamps, steel with tension lever

Order No.	Form	Form definition	A	B	D	D1	D2	H	H1	H2	H3	H4	H5
K2049.080	A	-	7,1	-	12	M8	10	6	12	9	1,5	8,5	-
K2049.100	A	-	8,3	-	14	M10	12	7	15	11	1,8	10	-
K2049.120	A	-	9,5	-	16	M12	14	8	18	13	2,2	12	-
K2049.081	B	-	7,1	12	12	M8	10	6	12	9	1,5	8,5	7
K2049.101	B	-	8,3	14	14	M10	12	7	15	11	1,8	10	8
K2049.121	B	-	9,5	16	16	M12	14	8	18	13	2,2	12	9

Order No.	Form	L	L1	L2	L3	R	Travel S	SW	Clamping force kN	Recommended tightening torque Nm
K2049.080	A	6	8,2	-	-	25	2,2	2,5	0,3	1,2
K2049.100	A	7	9,5	-	-	30	2,5	3	0,5	3
K2049.120	A	8	10,9	-	-	40	2,9	5,5	0,7	6
K2049.081	B	6	8,2	1	15,5	25	2,2	2,5	0,3	1,2
K2049.101	B	7	9,5	1	18	30	2,5	3	0,5	3
K2049.121	B	8	10,9	1	20	40	2,9	5,5	0,7	6