

Spherical

Item description/product images



Description

Material:

Carbon steel.

Version:

Tempered and black oxidised.

Note:

Can be used with

K1941

K1943

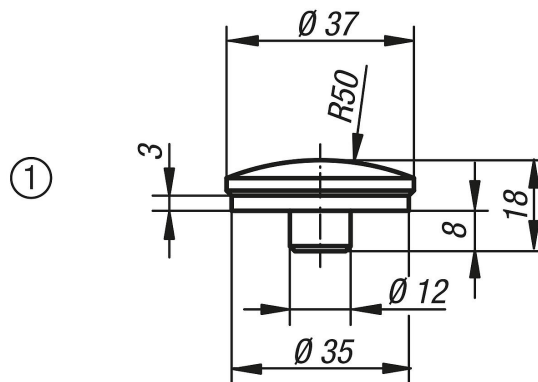
K1944

K1233

K1945

K1946.010

Drawings



Overview of items

Order No.	Item
K1961.01	Ball End