

Swivel castors

Item description/product images



Description

Material:

Housing solid welded steel construction.
Wheels with welded steel body and Extrathane® tread.

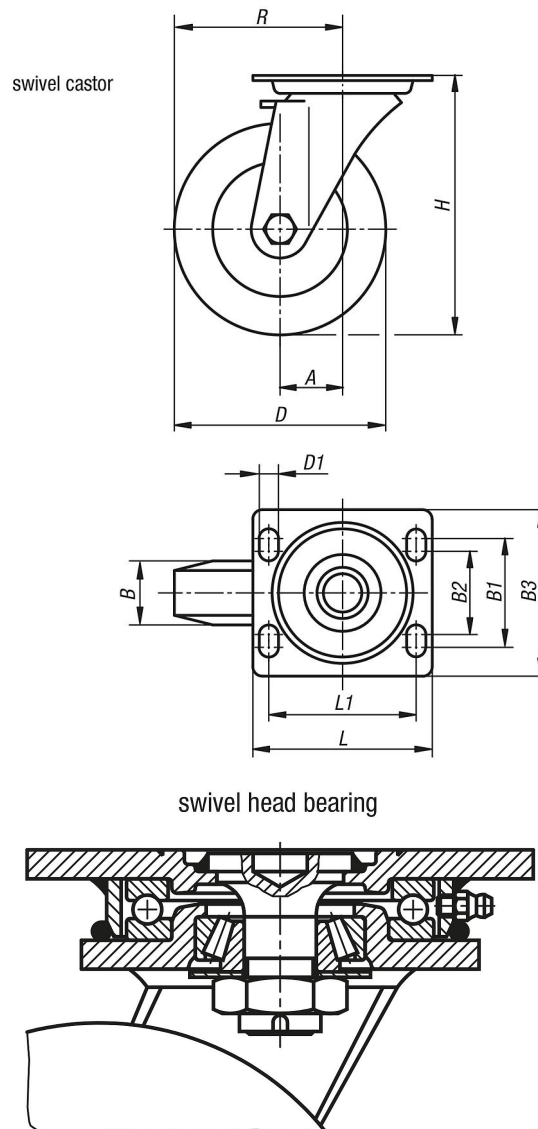
Version:

The housing is a rugged welded steel construction.
Swivel castor housing with DIN 711 axial groove ball bearing and DIN 720 tapered roller bearing in the swivel head. Dust and splash-proof, with grease nipple.
Precision ball bearings in the wheels.

Note:

Centre pin welded in, bolted and secured. Wheel axle bolted.

Drawings



Swivel castors

Overview of items

Order No.	Item	Version 1	Wheel bearing	A	B	B1	B2	B3	D	D1	H	L	L1	R	Permissible load kg
K1769.16050	Swivel castor	without locking system	ball bearing	55	50	80	75	110	160	11	205	140	105	135	700
K1769.20050	Swivel castor	without locking system	ball bearing	60	50	80	75	110	200	11	245	140	105	160	1000
K1769.25060	Swivel castor	without locking system	ball bearing	75	60	105	-	140	250	14	305	175	140	200	1350