

Telescopic slides, stainless steel for side mounting, full extension, load capacity up to 80 kg

Item description/product images



Description

Material:

Slides stainless steel 1.4301.

Ball cage stainless steel 1.4301.

Balls stainless steel 1.4034.

Version:

Slides bright.

Ball cages bright.

Balls bright.

Note for ordering:

Sold in pairs.

Note:

On telescopic slides with full extension, the travel is similar to the installed length, which ensures greater comfort and accessibility. Latches in closed position. The dynamic load capacity of the telescopic slides indicates the maximum load rating of a vertically mounted slide pair when the entire extension length is used. The load capacity specified is calculated with a slide spacing of 450 mm and is based on the maximum value with 10,000 or 80,000 cycles.

The load capacity is ca. 75% lower by horizontal mounting.

The head height of the fastening screws should not exceed 2.5 mm otherwise there is a risk of collision with other parts of the slide.

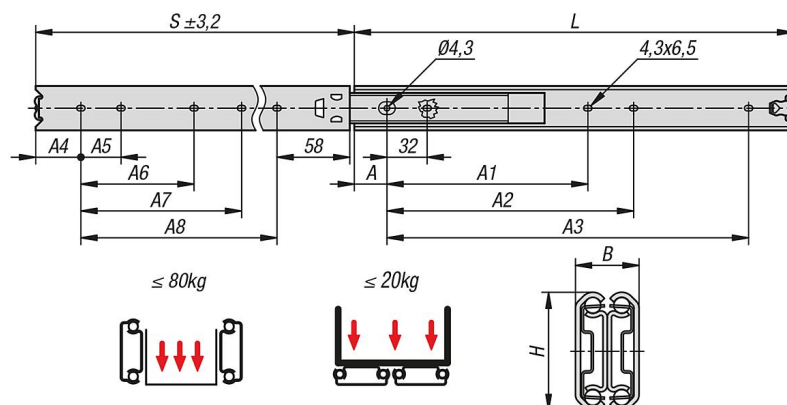
Advantages:

Latches in closed position

Suitable for flat mounting

Light running

Drawings



Overview of items

Stainless steel telescopic slides for side mounting, full extension, load capacity up to 80 kg

Telescopic slides, stainless steel for side mounting, full extension, load capacity up to 80 kg

Overview of items

Order No.	Assembly	Product type	Load capacity per pair (80,000 cycles) kg	Loading pair (10,000 cycles) kg	Packaging type
K1715.0300	side mounting	standard	50	65	1 piece = 1 pair
K1715.0350	side mounting	standard	55	70	1 piece = 1 pair
K1715.0400	side mounting	standard	60	75	1 piece = 1 pair
K1715.0450	side mounting	standard	65	80	1 piece = 1 pair
K1715.0500	side mounting	standard	57	75	1 piece = 1 pair
K1715.0550	side mounting	standard	50	70	1 piece = 1 pair
K1715.0600	side mounting	standard	45	65	1 piece = 1 pair
K1715.0700	side mounting	standard	30	55	1 piece = 1 pair

Order No.	A	A1	A2	A3	A4	A5	A6	A7	A8	B	H	Travel S	L
K1715.0300	26	-	192	224	18	32	-	-	224	19,1	35,3	304,5	300
K1715.0350	26	-	224	256	36	32	-	-	256	19,1	35,3	354	350
K1715.0400	26	-	192	320	22	32	-	160	320	19,1	35,3	403	400
K1715.0450	26	-	224	352	40	32	-	160	352	19,1	35,3	452	450
K1715.0500	26	256	288	416	26	32	160	192	416	19,1	35,3	501	500
K1715.0550	26	288	320	480	44	32	160	192	448	19,1	35,3	550,5	550
K1715.0600	26	320	352	512	30	32	192	224	512	19,1	35,3	600	600
K1715.0700	26	352	384	608	34	32	256	288	608	19,1	35,3	698	700