

Tube clamps T-angle stainless steel

Item description/product images



Description

Material:

Investment cast 1.4308 stainless steel.
 ISO 4762 cap screw and ISO 4032 hex nut, stainless steel.
 From $\varnothing 30$ mm ISO 4017 hex head bolt, stainless steel.

Version:

Electropolished.

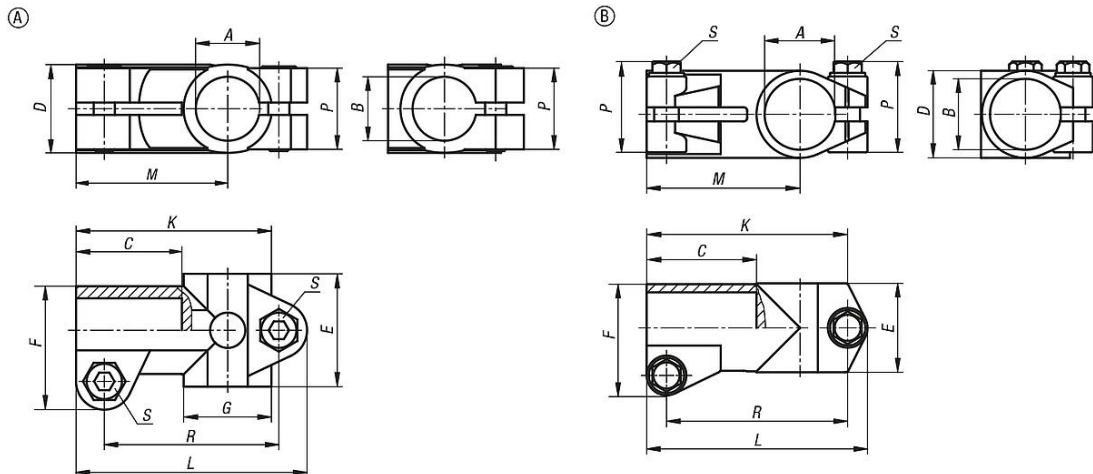
On request:

Clamping levers for tightening.

Accessory:

- Round and square tubes K0493

Drawings



Tube clamps T-angle stainless steel

Overview of items

Tube clamps T-angle stainless steel

Order No.	Form	A	B	C	D	E	F	G	K	L	M	P	R	S
K0475.11212	A	12,1	12,1	30,5	25	32	35	25	55,5	65,5	43	23	49,5	M6x18
K0475.11414	A	14,1	14,1	30,5	25	32	35	25	55,5	65,5	43	23	49,5	M6x18
K0475.11616	A	16,1	16,1	30,5	25	32	35	25	55,5	65,5	43	23	49,5	M6x18
K0475.11818	A	18,1	18,1	30,5	25	32	35	25	55,5	65,5	43	23	49,5	M6x18
K0475.12020	A	20,1	20,1	30,5	25	32	35	25	55,5	65,5	43	23	49,5	M6x18
K0475.13030	B	30,1	30,1	40	38,4	38	48	-	78	87	58	45,5	69	M8x30
K0475.14040	B	40,17	40,17	60	50,4	50	63	-	112	124,9	87	52	102,5	M10x35