

Dial gauge collets for Ø8 shafts

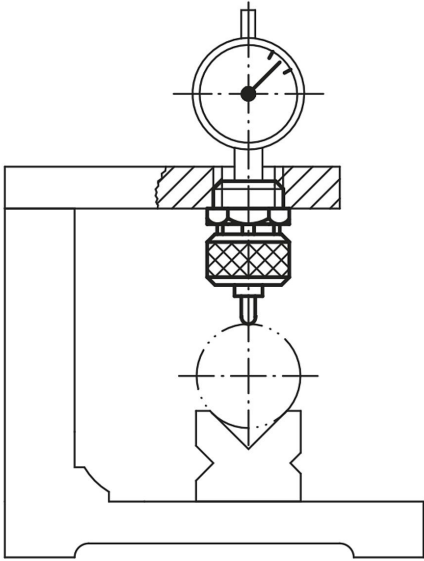
Item description/product images



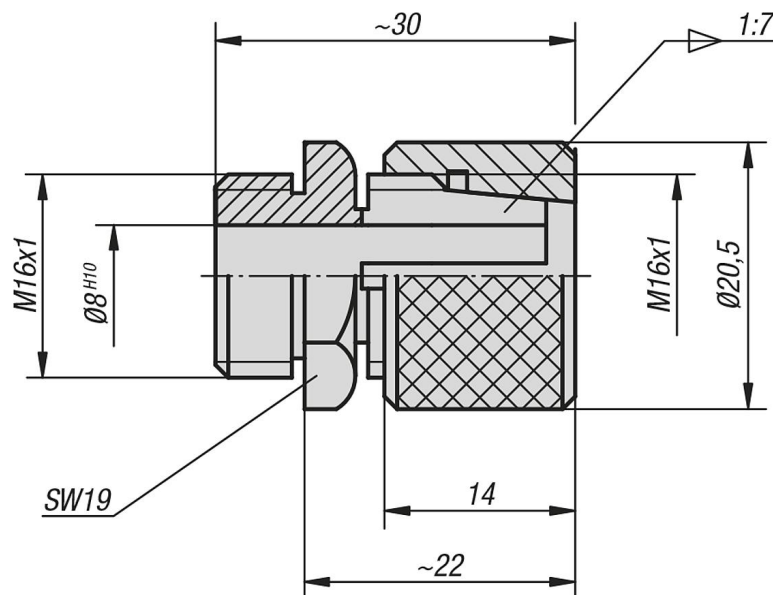
Description

Material:
Carbon steel.

Version:
Black oxidised.
Collet tempered.



Drawings



Overview of items

Dial gauge collets for Ø8 shafts

Overview of items

Dial gauge collets for Ø8 shafts

Order No.	Dimensions
K0629.08	see drawing