

## Pull handles, oval aluminium

Item description/product images

# 19"

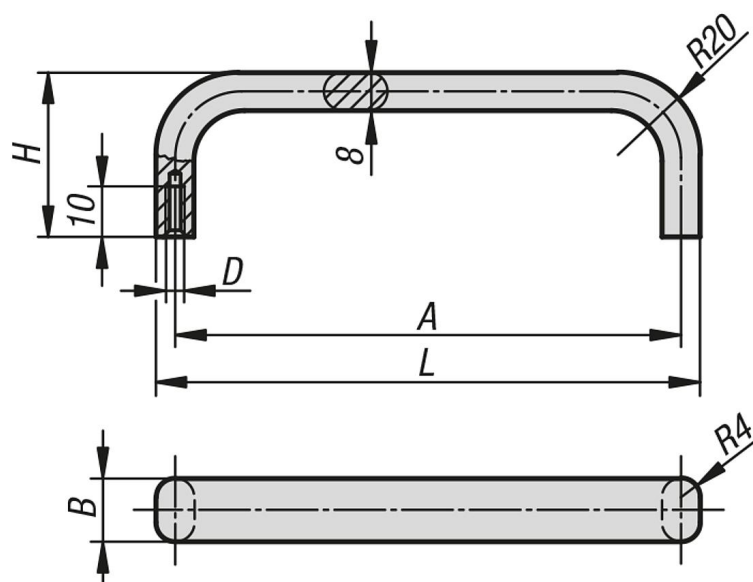


### Description

**Material:**  
Oval aluminium.

**Version:**  
Surface matt-finished and natural colour or black anodised.

### Drawings



### Overview of items

#### Pull handles oval

Order No.	Main colour	A	B	D	H	L	Load capacity N
K0202.055051	black	55	12	M5	40	63	500
K0202.088051	black	88	12	M5	40	96	500
K0202.100051	black	100	12	M5	40	108	500
K0202.120051	black	120	12	M5	40	128	500
K0202.180051	black	180	12	M5	40	188	500
K0202.200051	black	200	12	M5	40	208	500
K0202.235051	black	235	12	M5	40	243	500
K0202.250051	black	250	12	M5	40	258	500
K0202.055053	natural	55	12	M5	40	63	500
K0202.088053	natural	88	12	M5	40	96	500
K0202.100053	natural	100	12	M5	40	108	500
K0202.120053	natural	120	12	M5	40	128	500
K0202.180053	natural	180	12	M5	40	188	500

## Pull handles, oval aluminium

### Overview of items

Order No.	Main colour	A	B	D	H	L	Load capacity N
K0202.200053	natural	200	12	M5	40	208	500
K0202.235053	natural	235	12	M5	40	243	500
K0202.250053	natural	250	12	M5	40	258	500